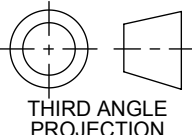
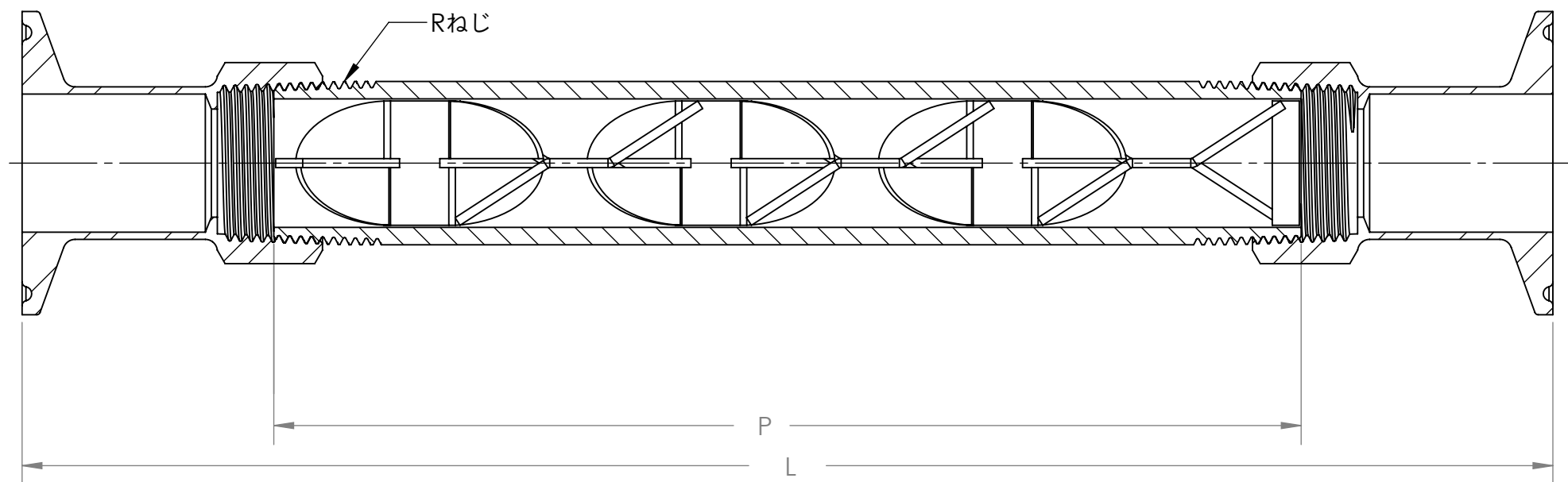
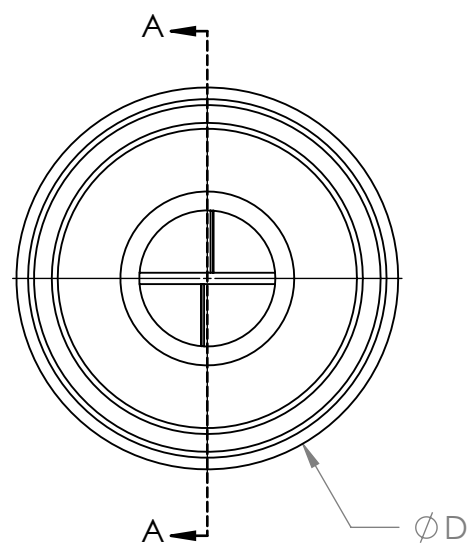


ITEM NO.	DESCRIPTION	QTY
1	TA6スタティックミキサー エレメント	6
2	SUSパイプ	1
3	ヘルールPTねじソケット	2

DO NOT SCALE DRAWING CONFIDENTIAL DESIGN OF ChiHiro Co., Ltd. DO NOT DISTRIBUTE WITHOUT CONSENT		 THIRD ANGLE PROJECTION	METRIC	CHIHIRO engineered items www.chi-hiro.co.jp			
1. PART MUST BE PERMANENTLY MARKED WITH A PART NUMBER, REVISION, & VENDOR ID. 2. DIMENSIONS ARE IN MILLIMETERS; DUAL DIMENSIONS ARE IN INCHES 3. BREAK ALL SHARP EDGES AND CORNERS. 4. TAPPED HOLES MUST BE FREE OF MATERIAL.			TOLERANCES UNLESS OTHERWISE SPECIFIED .XX = +/- 0.10 .X = +/- 0.25 X = +/- 0.50 ANGLE = +/- 0.1°			TITLE TA6スタティックミキサー ヘルールPTねじソケット	
MATERIAL: SUS316L		FINISH: 電解研磨	DATE: 2021-06-08	USED ON:	SIZE A3	PART NUMBER TA6-SUSXX-2	REV. A



SECTION A-A

型式	呼び径		D	L	P
TA6-SUS20-2	1.0S	20A	50.5	254.8	171
TA6-SUS25-2	1.25S	25A	50.5	277.4	196
TA6-SUS32-2	1.5S	32A	50.5	321.8	239
TA6-SUS40-2	2.0S	40A	64	356.6	268
TA6-SUS50-2	2.5S	50A	77.5	453.7	355
TA6-SUS65-2	3.0S	65A	91	531.0	425
TA6-SUS80-2	3.5S	80A	106	637.5	512
TA6-SUS100-2	4.5S	100A	130	805.2	639

DO NOT SCALE DRAWING		<p>THIRD ANGLE PROJECTION</p>	METRIC		CHIHIRO engineered items www.chi-hiro.co.jp		
CONFIDENTIAL DESIGN OF ChiHiro Co., Ltd. DO NOT DISTRIBUTE WITHOUT CONSENT			TOLERANCES UNLESS OTHERWISE SPECIFIED				
1. PART MUST BE PERMANENTLY MARKED WITH A PART NUMBER, REVISION, & VENDOR ID. 2. DIMENSIONS ARE IN MILLIMETERS; DUAL DIMENSIONS ARE IN INCHES 3. BREAK ALL SHARP EDGES AND CORNERS. 4. TAPPED HOLES MUST BE FREE OF MATERIAL.		MATERIAL: SUS316L		.XX = +/- 0.10 .X = +/- 0.25 X = +/- 0.50 ANGLE = +/- 0.1°	TITLE TA6スタティックミキサー ヘルール PTねじソケット		
		FINISH: 電解研磨		DATE: 2021-06-08		SIZE	PART NUMBER
		USED ON:				A3	TA6-SUSXX-2