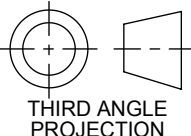
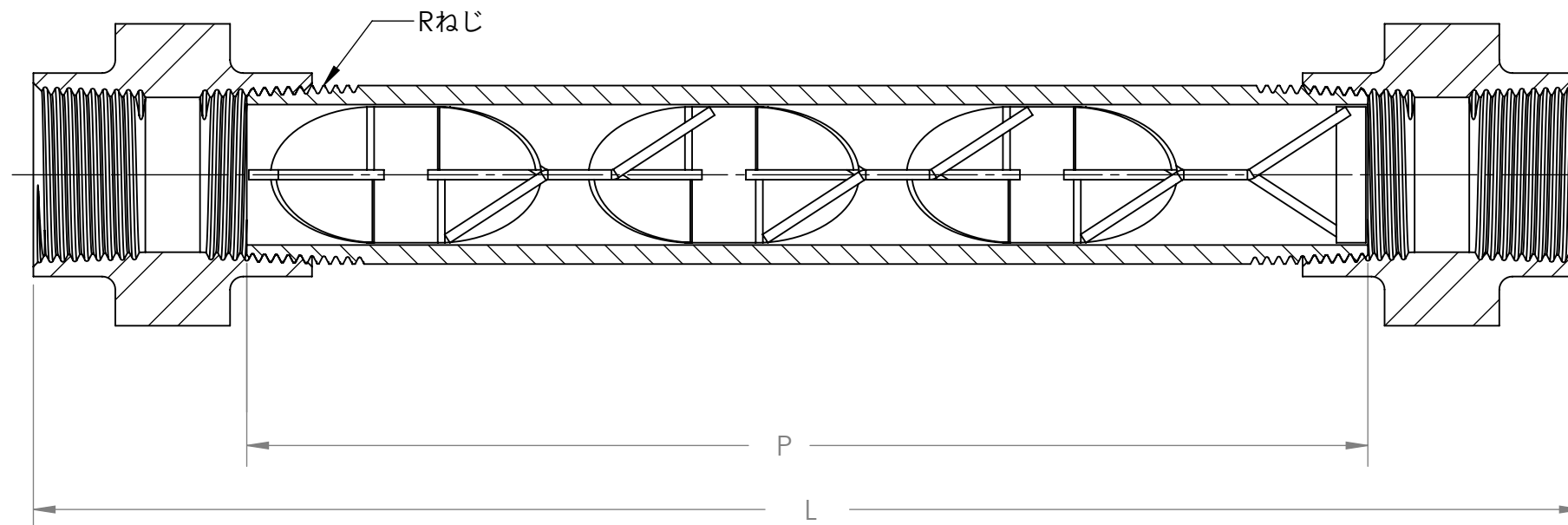
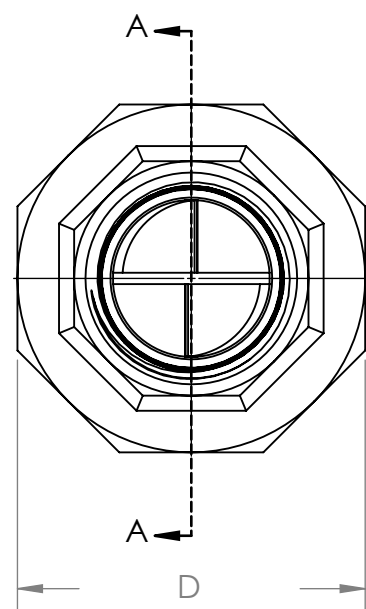


ITEM NO.	DESCRIPTION	QTY
1	TA6スタティックミキサー エレメント	6
2	SUSパイプ	1
3	同径PTユニオン	2

DO NOT SCALE DRAWING CONFIDENTIAL DESIGN OF ChiHiro Co., Ltd. DO NOT DISTRIBUTE WITHOUT CONSENT		 THIRD ANGLE PROJECTION	METRIC TOLERANCES UNLESS OTHERWISE SPECIFIED		CHIHIRO engineered items www.chi-hiro.co.jp		
1. PART MUST BE PERMANENTLY MARKED WITH A PART NUMBER, REVISION, & VENDOR ID. 2. DIMENSIONS ARE IN MILLIMETERS; DUAL DIMENSIONS ARE IN INCHES BREAK ALL SHARP EDGES AND CORNERS. 3. TAPPED HOLES MUST BE FREE OF MATERIAL.			.XX = +/- 0.10 .X = +/- 0.25 X = +/- 0.50 ANGLE = +/- 0.1°	TITLE TA6スタティックミキサー 同径PTユニオン			
MATERIAL: SUS316L		FINISH: 電解研磨	DATE: 2021-06-08	USED ON:	SIZE A3	PART NUMBER TA6-SUSXX-3	REV. A



SECTION A-A

型式	呼び径		D	L	P
TA6-SUS20-3	20A	Rc3/4	46	236.1	171
TA6-SUS25-3	25A	Rc1	54	270.4	196
TA6-SUS32-3	32A	Rc1-1/4	64	328.0	239
TA6-SUS40-3	40A	Rc1-1/2	71	360.7	268
TA6-SUS50-3	50A	Rc2	85	459.6	355

DO NOT SCALE DRAWING		<p>THIRD ANGLE PROJECTION</p>	METRIC		CHIHIRO engineered items www.chi-hiro.co.jp		
CONFIDENTIAL DESIGN OF ChiHiro Co., Ltd. DO NOT DISTRIBUTE WITHOUT CONSENT			TOLERANCES UNLESS OTHERWISE SPECIFIED				
1. PART MUST BE PERMANENTLY MARKED WITH A PART NUMBER, REVISION, & VENDOR ID. 2. DIMENSIONS ARE IN MILLIMETERS; DUAL DIMENSIONS ARE IN INCHES 3. BREAK ALL SHARP EDGES AND CORNERS. 4. TAPPED HOLES MUST BE FREE OF MATERIAL.		MATERIAL: SUS316L		.XX = +/- 0.10 .X = +/- 0.25 X = +/- 0.50 ANGLE = +/- 0.1°	TITLE TA6スタティックミキサー 同径PTユニオン		
		FINISH: 電解研磨		DATE: 2021-06-08		SIZE	PART NUMBER
		USED ON:				A3	TA6-SUSXX-3